



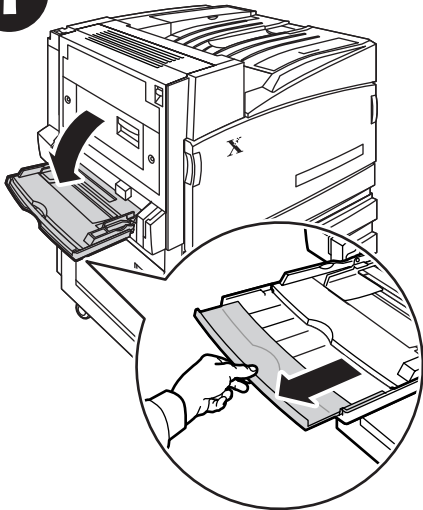
PHASER[®] 7700

COLOR PRINTER

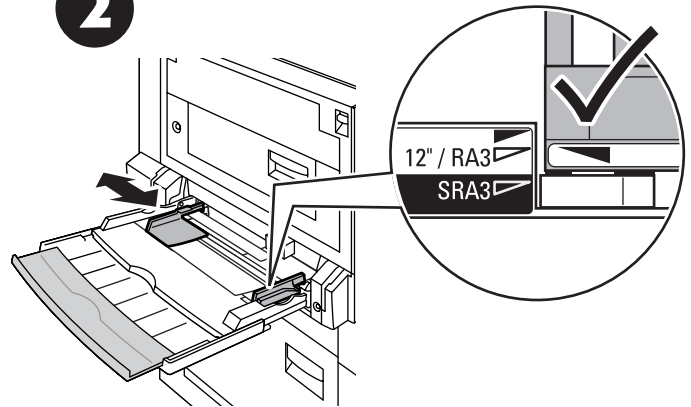
GRAPHIC IMAGING PAPER

80 LB., 216 G/M²

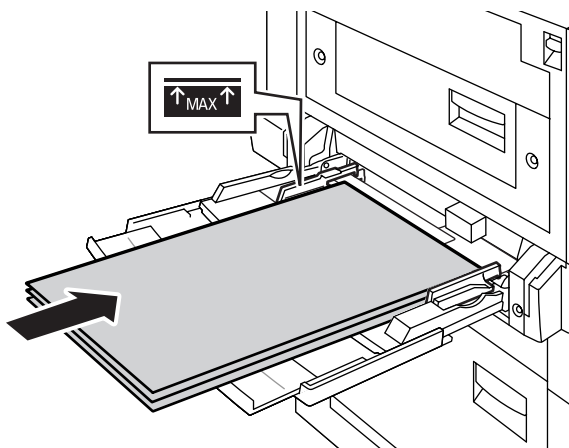
1



2



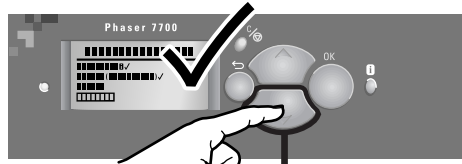
3



4



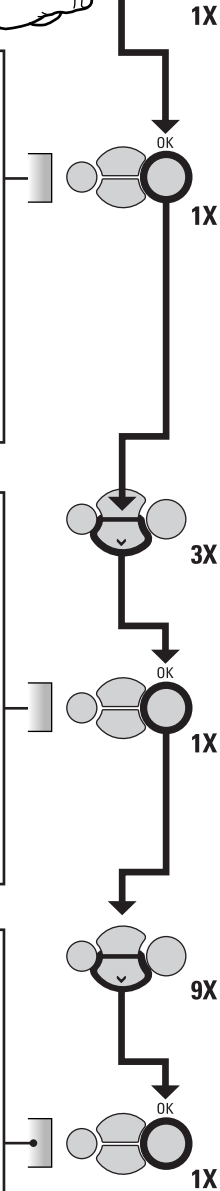
4



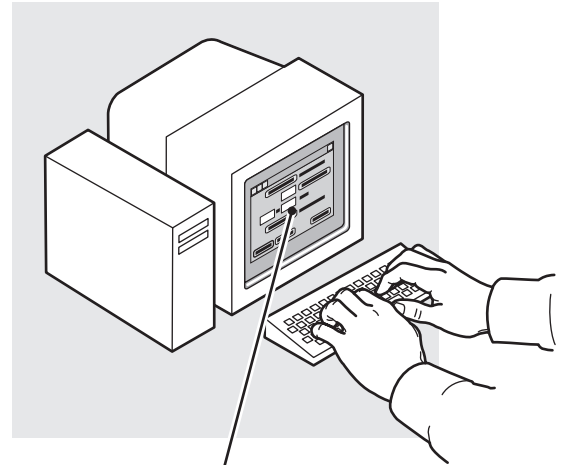
Change
Cambiar
Modifier
Ändern
Modifica
Alterar
Wijzigen
Ändra
変更
改变
改變
변경

Thick Cover/Index
Cartoncillo grueso/Índice
Couvertures/fiches épaisses
Dickes kartoniertes Papier/Karteikarton
Schede/cartoncini spessi
Capa/índice grosso
Dikke omslag/Index
Thick Cover/Index
厚型カバー/インデックス
厚封面/索引
厚封面/索引
두꺼운 표지/색인 용지

Tabloid Extra (12.0 x 18.0 in.)
Tabloide extra (12,0 x 18,0 pulg.)
Tabloid Extra (12,0 x 18,0 po)
Tabloid Extra (12 x 18 Zoll)
Tabloid Extra (12 x 18 poll.)
Tablóide Extra (12,0 x 18,0 pol.)
Tabloid Extra (12 x 18 in.)
Tabloid Extra (12 x 18 tum)
タブロイドエクストラ (12 x 18 インチ)
Tabloid Extra (12.0 x 18.0 英寸)
Tabloid Extra (12.0 x 18.0 英寸)
Tabloid Extra (12.0 x 18.0 인치)



5



Multi-Purpose Tray
Bandeja multiuso
Bac multisupport
Mehrzweckfach
Cassetto multiuso
Bandeja de Multiformatos
Multifunctionele lade
Flerfunktionsfack
汎用トレイ
多用途紙盤
多用途紙匣
다용도 용지함
Многоцелевой лоток